

Pressure Gauge syphons

DIN 16282 special
stainless steel

E 09.03.02

Ed.14.01

Design	Gauge syphon in angle type with thread G3/8" acc.to DIN 16282 special
Article nr	81550100
WIKA type	910.15
Form	C-form angle type
Material	Stainless steel 1.4571 Union nut stainless steel 1.4305
Inlet	Inlet with fixed male thread G3/8"
Outlet	Outlet with LH/RH union nut G3/8"



Design	Gauge syphon in angle type with thread G1/2" acc.to DIN 16282 special
Article nr	81550200
WIKA type	910.15
Form	C-form angle type
Material	Stainless steel 1.4571 Union nut stainless steel 1.4305
Inlet	Inlet with fixed male thread G1/2"
Outlet	Outlet with LH/RH union nut G1/2"



Table for max pressure och temperature

Max pressure	Max temperature*
160 bar	+120°C
120 bar	+300°C
104 bar	+400°C

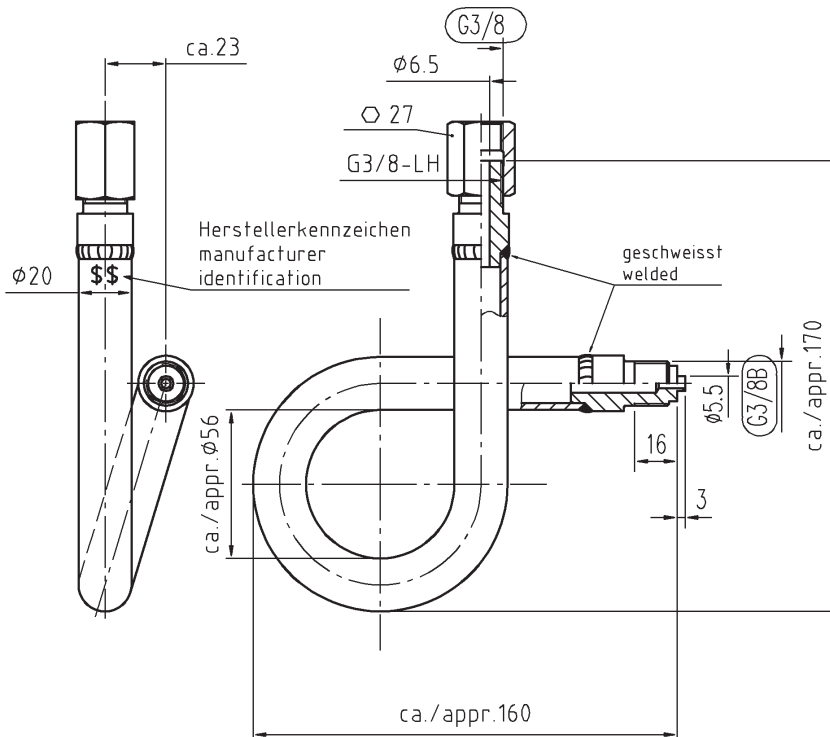
*Max temperature for the inlet in the gauge syphon

Pressure Gauge syphons

DIN 16282 special
stainless steel

E 09.03.02

81550100 Connection G3/8"



81550200 Connection G1/2"

